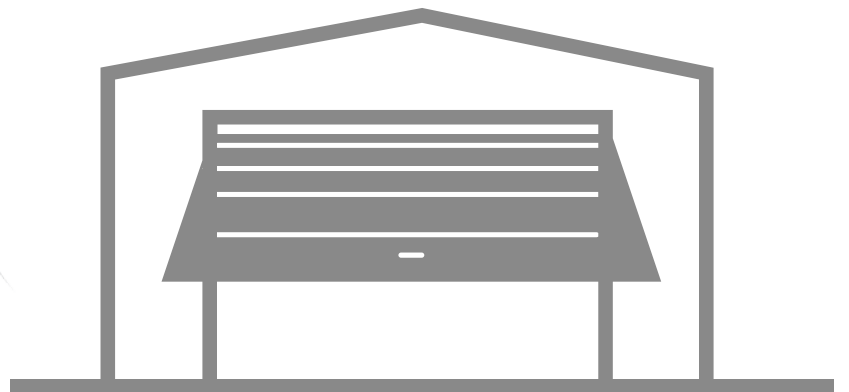


Garage Door Opener

PEGASUS 1500



INSTALLATION & OWNERS MANUAL

1. Technical Specifications

Power Input	220V AC \pm 10% 50~60Hz	Reception frequency	433.92MHz
Motor	24V DC	Decoding	Rolling Code
Working Temperature	>-20°C, <+50°C	Transmitter power	27A 12V Battery
Relative Humidity	\leq 90°C	Globe	24V 5W
Open and close force	1500N / 150W	Courtesy light time	3 minutes

This manual is only used by technical persons who are qualified to carry out the installation.

No given information in this manual can be considered of any interest to the end user.

No setting or adjustments contained in this manual can be carried out by the end user.

It is important for the installer to show their clients correct operationl using of the opener including the using of manual disengagement cord.

Inform the owner about the need of a regular and accurate maintenance, especially regarding a regular check of the safety and reversing devices.

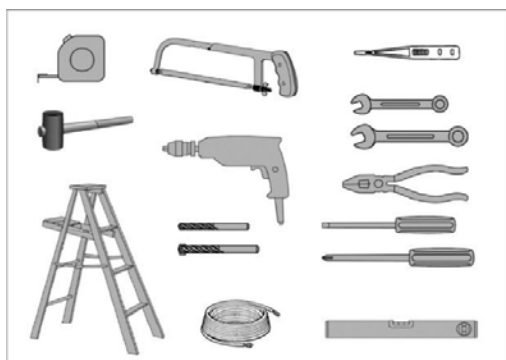
IMPORTANT NOTE: A poorly operating door can affect the life of the automatic opener due to incorrect loads, and will void the warranty.

Check the reversing sensitivity at least twice a year, and adjust if it is necessary.

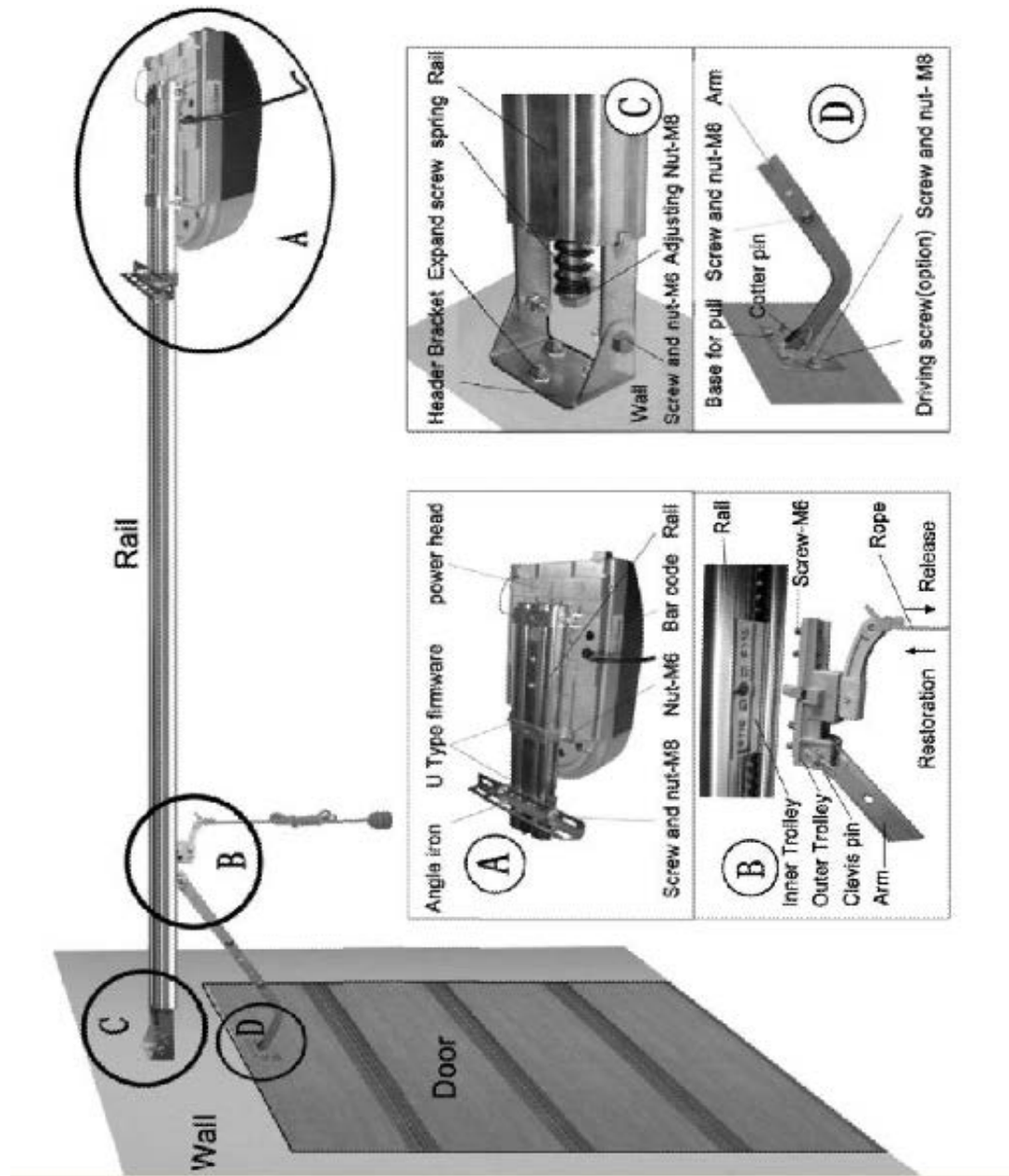
Make sure that the safety devices are working effectively (photo beams, etc.)

2. Installation

2.1 Recommended Tools



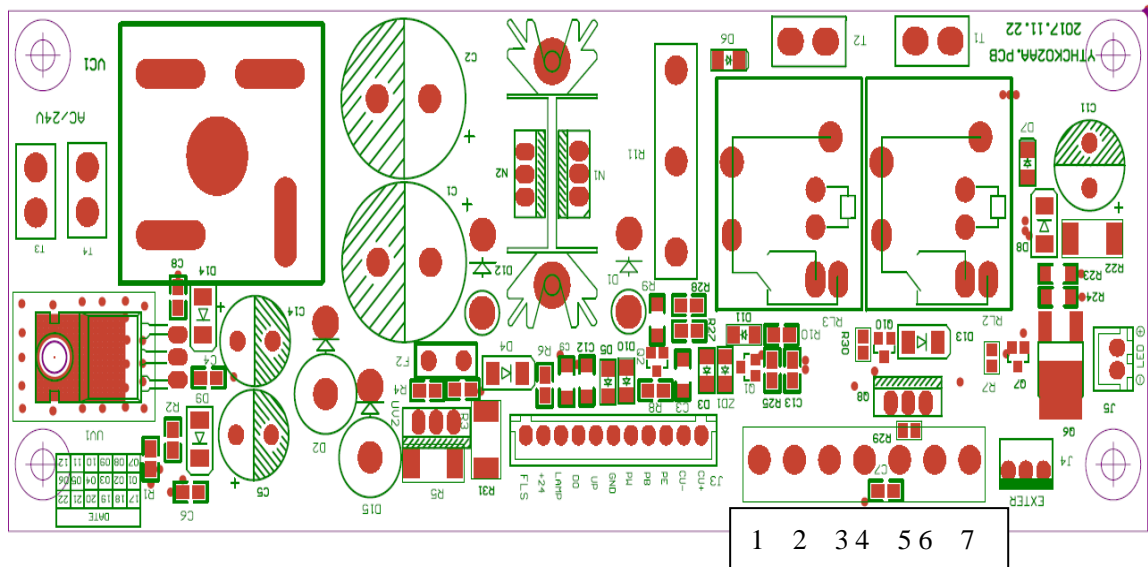
2.2 Installing the Operator and Rail



3. Control panel



4. Optional Terminals and Connections



1. Power supply 24V
2. Photocell
3. Common
4. Button
5. Flash
6. Battery (-)
7. Battery (+)

5. Programming the Unit

The system must be checked and tested when connections are completed.

- 5.1) Check the chain support if it is halfway to make sure the movement is problem free in both opening and closing.

Make sure that all the standards relative to the automatic gates and doors category have been observed.

- 5.2) Now carry out a test of the door disconnected the motor, and open and close the door to verify that the mechanical parts are all in good working order and the door not bound in its tracks.
- 5.3) Check that all the safety devices on the unit are working properly (emergency stop, photo beam, etc.). This is one of the most important checks and must be done with great care; in fact, the active safety of the automatic door depends on the correct functioning of the safety devices. The reversing sensitivity device is of great help in minimizing damage but only the correct installation of the safety devices will make it possible to stop the door before it can cause any damage or injury to person and/or property.
- 5.4) It is now time to set the opening and closed position.

6. Setting Open and Close Positions

- 6.1) Press and hold SET until the LED displays the letter **1**. It turns into opening state.
- 6.2) Now press UP again and hold, the door will travel to the open position, release the button when the door has reached the desired position.
- 6.3) If the door has overrun its position, press DOWN to move the door downwards. Adjust the position by pressing UP and DOWN.
- 6.4) Press SET to set the open position, the LED will display the letter **2**. Now it is the time to set the closed position.
- 6.5) Press and hold DOWN, the door will travel to the close position, release DOWN when the door has reached the closed position.
- 6.6) If the door has overrun its position, press the UP to move the door upwards. Adjust the position by pressing DOWN and UP.
- 6.7) Press the SET to confirm.

The door will now open and close automatically to map the opening and closing sensitively driven by force.

WARNING: Keep all persons and property away from the door during the installation process.

- 6.8) Now the door is set in normal operational mode.

IMPORTANT NOTE: Safety systems must be checked regularly to ensure that maximum safety is maintained at all times.

7. Adjustments

Normally, the force settings are automatically set, and the adjustment is unnecessary. However, the force can be adjusted by an authorized professional opener installer for special purposes if it is necessary.

- 7.1) Press SET and hold, the LED will display a setting number from 1 to 3, release SET, it is now in force adjustment mode.
- 7.2) Press UP to increase the force one-degree, and press DOWN to decrease one degree (maximum degree is 9 and the minimum is 1).
- 7.3) Press SET button to confirm.
- 7.4) When the door is hindered, it will rebound 15 --20cm.

8. Self Learning Transmitter

- 10.1) Press CODE, release until the LED displays ●. Press a button on the transmitter, then release and press again, the dot will flash to confirm the code. Success!
- 10.2) Repeat step 1 to code a maximum of 20 different transmitters' and/or buttons.
- 10.3) To delete all stored codes, press and hold CODE, the LED displays dot flash .,keep more than 8 seconds until the LED display C, all the settings of the transmitters are deleted

9. Function Modes

The unit has two selectable functioning modes, PHOTO BEAM, AUTO CLOSE DOOR and LOCK DOOR.

9.1) PHOTO BEAM:

Make sure the photo beam has been installed correctly before setting the PHOTO BEAM function.

- 9.1.1) Press DOWN and hold until the LED displays –, then LED displays **H** or **||** automatically according to the original state.
- 9.1.2) If the LED displays **H**, press DOWN once, the LED displays **||**, the photo beam is now disabled.

If the LED displays **||**, press UP once, the LED displays **H**, the photo beam is now enabled.

- 9.1.3) Press SET to confirm and quit.

9.2) TO SET AUTO-CLOSE ON / OFF:

9.2.1) Press UP and hold until the LED displays –

9.2.2) Press button UP once, the auto close time increase 1 minute. Press button DOWN once, decrease the auto close time 1 minute, The LED displays the current set value.

9.2.3) The Auto Close function will be disabling when the setting time is 0.

9.2.4) Press button SET to confirm and quit while the correct time is setting.

9.2.5) Unnecessary to set again even the power has dropped.

9.3) LOCK DOOR:

9.3.1) Press SET and hold, the LED will display a setting number from 1 to 4, release SET, and it is now in lock door mode.

9.3.2) Press UP , the LED displays 1, lock door is effective. Press DOWN, the LED displays 0, unlock door is effective.

Maintenance

No particular maintenance is required for the logic circuit board.






Check the door at least twice a year if it is properly balanced, and all working parts are in good working condition or not.

Manual Disengagement

The opener is equipped with a manual release cord to disengage shuttle and move door by hand while holding the handle down. Pull on the handle to disengage the shuttle. To re-engage the door simply run opener in automatic mode or move door by hand until the trolley engages in the chain shuttle.

In some situations that a pedestrian door is not in state, it is recommended that an external disengagement device should be fitted .

10. Owners' Guide

8.1	Attention in use		
10.1.1		At the first time of using the door, please test the driving system to see if it moves well. (Test method: unlock the trolley, pull and push the door by hand.)	
10.1.2		Connected with the appropriate power and socket by professionals, and connected the earthing wire with earth.	
10.1.3		Using the transmitters in your sight. Do not stand or walk under a moving door. The transmitters should be out of reaching of children.	
10.1.4		Make sure the door our off fire, moisture, electromagnetism and some other places.	
10.1.5		Check at least twice a year to make sure the door is properly balanced and that all working parts are in good working condition. Adjust the tensile force of chain. Add suitable amount of lubricant to the active.	
10.2	Examination Guide		
10.2.1	Problem	Causes	Solution
10.2.2	The chain is noisy.	The chain is too loose.	Adjust nut-M8 referring to 3.2.C.
10.2.3	The motor does not work.	The socket is not well connected or the fuse is broken.	Check the socket or replace the fuse.
10.2.4	After setting open and close positions, the motor does not work.	The screws of fixing the Hall components are loose or program mistakes.	Tighten the screws or resetting open and close positions.
10.2.5	The door can't be closed.	Photo beam function works.	Cancel the photo beam function, referring to 6.6.
10.2.6	The wall button works well, but the transmitter doesn't work.	No transmitter learning or transmitter battery is power off.	Code referring to 6.4 or change new transmitter battery.
10.2.7	Transmitter distance is too short.	The transmitter battery is nearly power off.	Change new battery.